



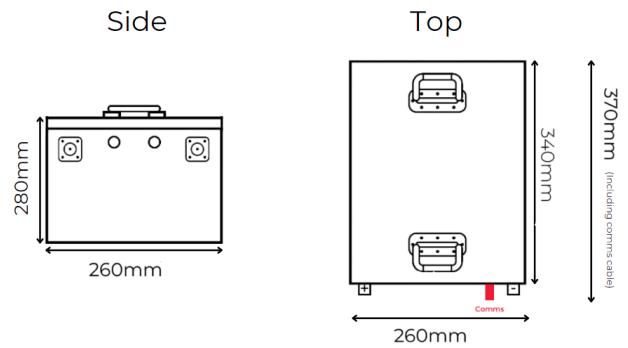
**RED POLE  
ENERGY**

# 38V 100Ah GOLF BATTERY DATA SHEET



## PRODUCT FEATURES

- Ultra Safe Lithium Iron Phosphate (LiFePO4) Cells
- Integrated Battery Management System (BMS)
- Low Self-Discharge (<3% per month)
- Water and Dust Resistant (IP65)
- Long Life > 3 500 life cycles
- Light Weight - up to 70% lighter
- Compact - up to 50% smaller
- Fast Charging
- Zero Maintenance
- Cost Effective
- Extreme Operating Temperatures
- Includes External Smart LCD Display



## TECHNICAL SPECIFICATION

Model		RP38V100AH-GC	
Nominal Voltage	38.4 VDC	Charge Current   Recommended	20 A
Usable Capacity	3.84 kWh	Charge Current   Quick Charge	50 A
Nominal Capacity	100 Ah	Charge Current   Max	100 A
Dimensions (L x W x H) (mm)	340 (370) x 260 x 280	Charge Time   Recommended Charge	5 hrs
Weight (kg)	35.5 kg	Charge Time   Quick Charge	2 hrs
Terminal Connectors	M8 Terminals	Discharge Current   Max Continuous	100 A
Casing Material	Metal	Discharge Current   Peak (< 10s)	200 A
IP Rating	IP65	Operating Voltage Range	30 - 43.8 VDC
Operating Temperature Range	Charge: 0°C to 65°C   Discharge: -20°C to 65°C	Max Charge Voltage	43.2 VDC
Protection	Over-voltage   Under-voltage   Short circuit	Self-Discharge Rate	Max 3% per month
Expected Lifespan	10 Year Design Life	Communication Port	CAN, RS485, Bluetooth
Warranty	5 years	Cell Type	LiFePO4   3.2V 105Ah
Humidity Range	< 95% RH	Cell Configuration	8S1P

[www.redpoleenergy.co.za](http://www.redpoleenergy.co.za) | [support@redpoleenergy.co.za](mailto:support@redpoleenergy.co.za)  
021 023 3325